
11709817 VOLVO L90E/L90F/L110E/L110F/L120E/L120F LOADERS Seal Kit 50 x 80 mm



Seal Kit equivalent to VOLVO ® L90E/L90F/L110E/L110F/L120E/L120F LOADERS Part Number 11709817

New OEM Aftermarket Seal Kit (Not branded VOLVO ®, direct replacement). This seal kit is a high quality, direct replacement to original parts, at a fraction of the cost.

Description of VOLVO® replacement Seal 11709817

Used in the following applications:

LOADERS - WHEEL, L110E, HYDRAULIC, CYL #: 11107516, SERIAL #: 1002-2165, 70201-70257, 60001-60631

LOADERS - WHEEL, L110E, HYDRAULIC, CYL #: 11107790, SERIAL #: 1002-2165, 70201-70257, 60001-60631

LOADERS - WHEEL, L110E, HYDRAULIC, CYL #: 11107790, SERIAL #: 2202-, 70401-70433, 61001-61289

LOADERS - WHEEL, L110F, HYDRAULIC, CYL #: 11107790, SERIAL #: 3503-, 70601-, 61501-

LOADERS - WHEEL, L120E, STEERING, CYL #: 11107516, SERIAL #: 16001-19668;70701-71400;64001-66000

LOADERS - WHEEL, L120E, STEERING, CYL #: 11107790, SERIAL #: 16001-19668;19804-;64001-66000;66001- ;70701-71400;71401-

LOADERS - WHEEL, L120F, HYDRAULIC, CYL #: 11107790, SERIAL #: 23004-, 66401-, 71701-

LOADERS - WHEEL, L120F, HYDRAULIC, CYL #: 11107790, SERIAL #: 23004-, 71701-, 66401-

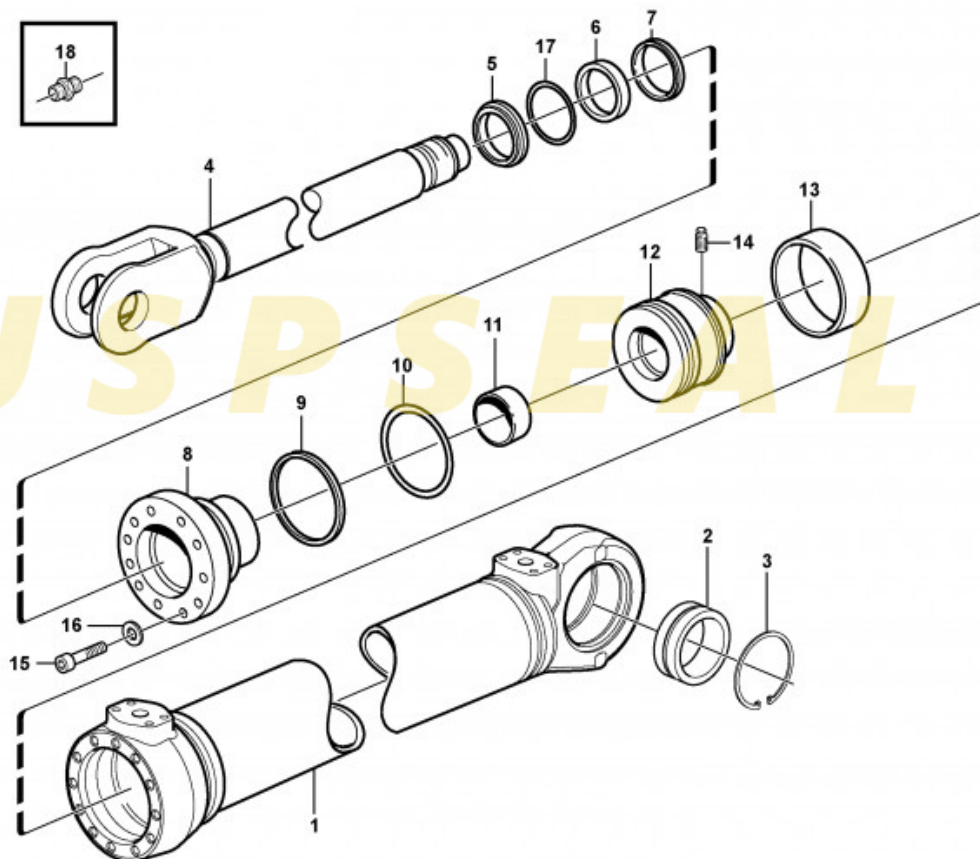
LOADERS - WHEEL, L90E, STEERING, CYL #: 11107525, SERIAL #: -20837;-66464;-70887

LOADERS - WHEEL, L90E, STEERING, CYL #: 11107787, SERIAL #: 20838-;66465;-70888-

LOADERS - WHEEL, L90F, HYDRAULIC, CYL #: 11107769, SERIAL #: 25006-, 71501-, 68101-

*All manufacturer's names, part numbers, and descriptions are used for reference purposes only. We do not imply that any part shown is the product of these manufacturers. We also do not imply that the list price shown is exactly that of the manufacturer.

VOLVO LOADER SEAL KIT 11709817



Volvo Construction
Equipment
1021044

1	VOE 11****18	Cylinder tube	1
	VOE 11****35	Cylinder tube	
2	VOE 1****2	Pivot bearing more	1
3	VOE 9****8	Snap Ring more	2
4	VOE 11****61	Piston rod	1
	VOE 11****88	Piston rod	1
5	VOE 11****53	Scraper	1
6	VOE 47****5	Piston Rod Seal	1
7	VOE 11****48	Piston Rod Seal	1
8	VOE 11****60	Pstn Rod Guide	1
	VOE 11****67	Pstn Rod Guide	
9	VOE 47****2	Back-up ring	1
10	VOE 9****4	O-ring more	1
11	VOE 11****52	Bushing more	2
12	VOE 47****6	Piston	1
13	VOE 48****3	Seal	1
14	VOE 47****8	Pin	1
15	VOE 13****38	Allen Hd Screw more	8
16	VOE 13****07	Spring Washer more	8
17	VOE 9****7	O-ring	
18	VOE 13****23		

Product

link :

<https://www.jspseal.com/11709817-volvo-l90el90fl110el110fl120el120f-loaders-seal-kit-50-x-80-mm.html>