

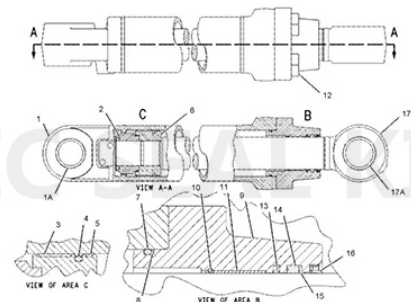
## CT-2159990 SEAL KIT 110x170 mm



Part Number: CT-2159990 SEAL KIT

OEM Reference Number: 2159990

ROD: 110 mm, BORE: 170 mm



### Hydraulic Cylinder Seal Kit Components

Items	Brand	Material	Color
Rod Seals	NOK/SKF/H605/SPRS	Urethane (TPU)	Ivory/Blue/Gray
Buffer Seals	JSPSEAL/SPRS	Urethane+PA or PTFE Bronze+NBR	Ivory/Purple
Wipers	JSPSEAL/SPRS	Urethane+Metal or NBR+Metal	Ivory/Black
Piston Seals	JSPSEAL	PTFE Bronze+NBR+PA OR Nylon+NBR	Brown/Green/Gold
Wear Rings	JSPSEAL	Phenolic Resion Cotton Fabric or PTFE Bronze	Brown/Blue/Yellow
Backup Rings	JSPSEAL	PA or PTFE or PTFE Bronze	Black/White/Brown
O-Rings	JSPSEAL	NBR (Hardness 90 Shore A)	Black

Applications:

330B L Excavator 6DR00001-UP (MACHINE) POWERED BY 3306 Engine

---

? 116-3638: CYLINDER GP-HYDRAULIC » (STICK CYLINDER) SEBP24370494  
330B L, 330B LN Excavators 3YR00001-UP (MACHINE) POWERED BY 3306 Engine

? 116-3638: CYLINDER GP-HYDRAULIC » (STICK CYLINDER) SEBP25920399  
330B & 330B L Excavators 4RS00001-UP (MACHINE) POWERED BY 3306 Engine

? 116-3638: CYLINDER GP-HYDRAULIC » (STICK CYLINDER) SEBP26260445  
345B, 345B L & 345B LC Excavator 2SW00001-UP (MACHINE) POWERED BY 3176C Engine

? 129-7835: CYLINDER GP-BUCKET » SEBP27540429

? 116-3638: CYLINDER GP-HYDRAULIC » (STICK CYLINDER) SEBP27540434  
345B & 345B L Series II Excavators AKJ00001-UP (MACHINE) POWERED BY 3176C Engine

? 129-7835: CYLINDER GP-BUCKET » (BUCKET CYLINDER) SEBP30750400

? 173-3545: CYLINDER GP-BUCKET » (BUCKET CYLINDER) SEBP30750402  
345B Series II Excavators ALD00001-UP (MACHINE) POWERED BY 3176C Engine

? 129-7835: CYLINDER GP-BUCKET » (BUCKET CYLINDER) SEBP30760376

? 173-3545: CYLINDER GP-BUCKET » (BUCKET CYLINDER) SEBP30760378  
345B Series II Excavator CCC00001-UP (MACHINE) POWERED BY 3176C Engine

? 129-7835: CYLINDER GP-BUCKET » SEBP32260467  
W330B MH Excavator AME00001-UP (MACHINE) POWERED BY 3306 Engine

? 116-3638: CYLINDER GP-HYDRAULIC » (STICK CYLINDER) SEBP29860223  
M325B Material Handler BGN00001-UP (MACHINE) POWERED BY 3116 Engine

? 116-3638: CYLINDER GP-HYDRAULIC » (STICK CYLINDER) SEBP31680263  
330B L, 330B LN Excavators 3YR00001-UP (MACHINE) POWERED BY 3306 Engine

? 116-3638: CYLINDER GP-HYDRAULIC » (STICK CYLINDER) SEBP25920399  
322B L Excavator 1YS00001-UP (MACHINE) POWERED BY 3116 Engine

? 116-3638: CYLINDER GP-HYDRAULIC » (STICK CYLINDER) SEBP25850403  
322C FOREST SWING MACHINES BPH00001-UP (MACHINE) POWERED BY 3126 Engine

---

? 116-3638: CYLINDER GP-HYDRAULIC » (STICK CYLINDER) SEBP32750291

325B L Excavator 2JR00001-UP (MACHINE) POWERED BY 3116 Engine

? 116-3638: CYLINDER GP-HYDRAULIC » (STICK CYLINDER) SEBP24350445

325B L & 325B LN Excavators 4DS00001-UP (MACHINE) POWERED BY 3116 Engine

? 116-3638: CYLINDER GP-HYDRAULIC » (STICK CYLINDER) SEBP26250400

Product link : <https://www.jspseal.com/ct-2159990-seal-kit-110x170-mm.html>