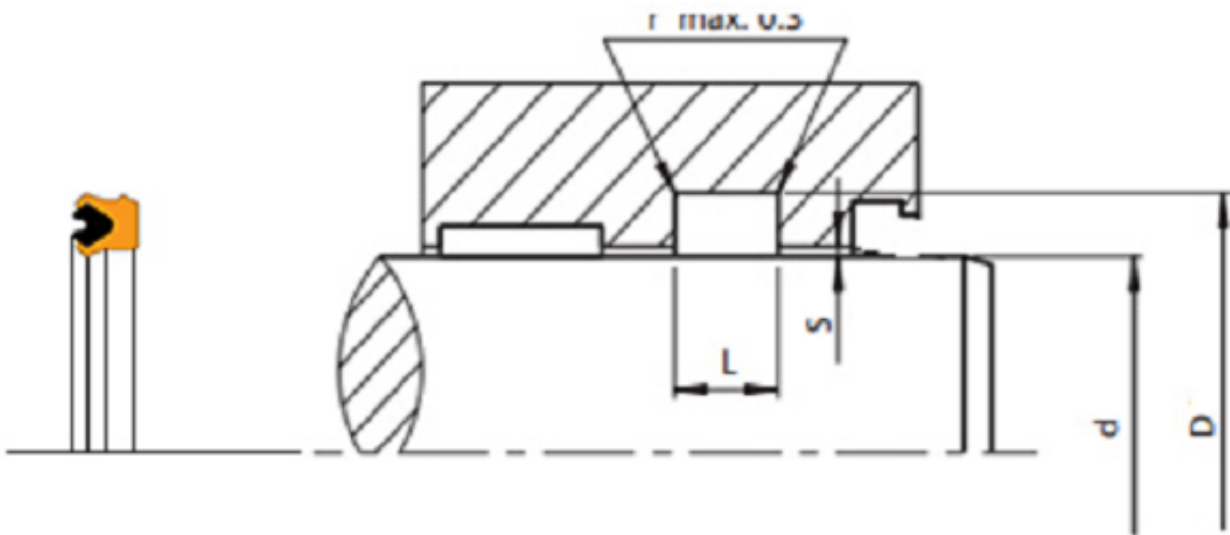


## Rod Double Lip PU Seals JSRUA



### Advantages:

- Good chemical resistance and wear resistance
- Very good low pressure stability.
- Very low compression set due to V-ring
- Simple groove design, simple installation

ITM	ID	OD	L
JSURA	50	60	6
JSURA	55	65	6
JSURA	60	70	6
JSURA	65	75	6
JSURA	70	80	6
JSURA	75	85	6

JSURA	80	90	6
JSURA	55	65	8
JSURA	65	75	8
JSURA	50	65	9
JSURA	55	65	9
JSURA	55	70	9
JSURA	60	75	9
JSURA	65	80	9
JSURA	70	85	9
JSURA	75	90	9
JSURA	80	95	9
JSURA	85	100	9
JSURA	90	105	9
JSURA	95	110	9
JSURA	100	115	9
JSURA	105	120	9
JSURA	110	125	9
JSURA	115	130	9
JSURA	120	135	9
JSURA	95	115	9
JSURA	50	63	10
JSURA	60	73	10
JSURA	55	68	10
JSURA	60	75	10
JSURA	65	78	10
JSURA	70	83	10
JSURA	80	93	10
JSURA	75	88	10
JSURA	70	85	10
JSURA	75	90	10
JSURA	80	95	10
JSURA	85	100	10
JSURA	90	105	10
JSURA	95	110	10
JSURA	100	115	10
JSURA	105	120	10
JSURA	100	120	10
JSURA	110	130	10
JSURA	120	140	10
JSURA	55	75	12
JSURA	60	80	12

---

JSURA	65	85	12
JSURA	70	90	12
JSURA	75	95	12
JSURA	85	100	12
JSURA	85	105	12
JSURA	90	110	12
JSURA	95	110	12
JSURA	95	115	12
JSURA	100	120	12
JSURA	105	125	12
JSURA	110	130	12
JSURA	115	135	12
JSURA	120	140	12
JSURA	130	150	12
JSURA	105	125	15
JSURA	115	135	16
JSURA	130	150	16

Product link : <https://www.jspseal.com/rod-double-lip-pu-seals-jsrua.html>