

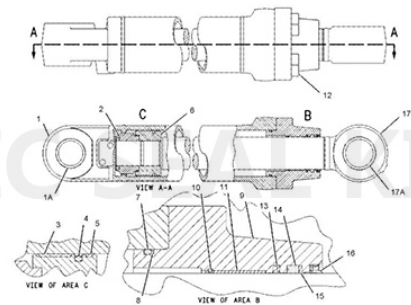
## CT-2344442 SEAL KIT 110x170 mm



Part Number: CT-2344442 SEAL KIT

OEM Reference Number: 2344442

ROD: 110 mm, BORE: 170 mm



### Hydraulic Cylinder Seal Kit Components

| Items        | Brand             | Material  | Color             |
|--------------|-------------------|---|-------------------|
| Rod Seals    | NOK/SKF/H605/SPRS | Urethane (TPU)                                  | Ivory/Blue/Gray   |
| Buffer Seals | JSPSEAL/SPRS      | Urethane+PA or PTFE<br>Bronze+NBR               | Ivory/Purple      |
| Wipers       | JSPSEAL/SPRS      | Urethane+Metal or<br>NBR+Metal                  | Ivory/Black       |
| Piston Seals | JSPSEAL           | PTFE Bronze+NBR+PA<br>OR Nylon+NBR              | Brown/Green/Gold  |
| Wear Rings   | JSPSEAL           | Phenolic Resion Cotton<br>Fabric or PTFE Bronze | Brown/Blue/Yellow |
| Backup Rings | JSPSEAL           | PA or PTFE or PTFE<br>Bronze                    | Black/White/Brown |
| O-Rings      | JSPSEAL           | NBR (Hardness 90 Shore<br>A)                    | Black             |

### DESCRIPTION

---

This is a replacement seal kit for CATERPILLAR EQUIPMENT®

Note: The actual contents of the kit may include additional components that are not listed above (i.e. o-rings, back-ups, etc.)

**SERIAL NUMBER(s)** - Note: This kit applies to the following models, cylinders, and serial numbers. This kit may also apply to other models, cylinders, and serial numbers not currently listed below.

EXCAVATORS, 345C, BUCKET, CYL #: 2254532, SERIAL #: BWY1-UP; ELS1-UP; GCL1-UP; TAJ1-UP; TBA1-UP; WDE1-UP

EXCAVATORS, 345C L, BUCKET, CYL #: 2254532, SERIAL #: BWY1-UP; DHP1-UP; ELS1-UP; ESD1-UP; GCL1-UP; GJR1-UP; GPH1-UP; LYS1-UP; PJW1-UP; S5M1-UP; TBA1-UP; TDG1-UP; WDE1-UP

*\*All manufacturer's names, part numbers and descriptions are used for reference purposes only. We do not imply that any part shown is the product of these manufacturers. We also do not imply that the list price shown is exactly that of the manufacturer.*

Product link : <https://www.jspseal.com/ct-2344442-seal-kit-110x170-mm.html>