

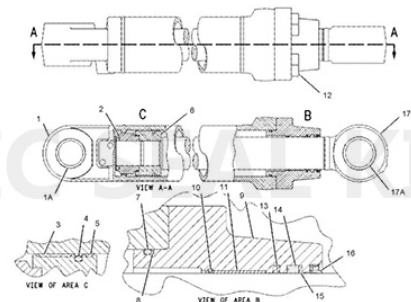
CT-1997416 SEAL KIT 105x150 mm



Part Number: CT-1997416 SEAL KIT

OEM Reference Number: 1997416

ROD: 105 mm, BORE: 150 mm



Hydraulic Cylinder Seal Kit Components			
Items	Brand	Material	Color
Rod Seals	NOK/SKF/H605/SPRS	Urethane (TPU)	Ivory/Blue/Gray
Buffer Seals	JSPSEAL/SPRS	Urethane+PA or PTFE Bronze+NBR	Ivory/Purple
Wipers	JSPSEAL/SPRS	Urethane+Metal or NBR+Metal	Ivory/Black
Piston Seals	JSPSEAL	PTFE Bronze+NBR+PA OR Nylon+NBR	Brown/Green/Gold
Wear Rings	JSPSEAL	Phenolic Resion Cotton Fabric or PTFE Bronze	Brown/Blue/Yellow
Backup Rings	JSPSEAL	PA or PTFE or PTFE Bronze	Black/White/Brown
O-Rings	JSPSEAL	NBR (Hardness 90 Shore A)	Black

Catalogs:

330, 330L Excavators 2ZM00001-UP (MACHINE)

----- 7Y-4906: CYLINDER GP-BOOM » (BOOM CYLINDER) SEBP22920337

330B L Excavator 6DR00001-UP (MACHINE) POWERED BY 3306 Engine

----- 116-3578: CYLINDER GP-BOOM » SEBP24370481

330B L, 330B LN Excavators 3YR00001-UP (MACHINE) POWERED BY 3306 Engine

----- 116-3578: CYLINDER GP-BOOM » SEBP25920395

----- 118-3921: CYLINDER GP-BUCKET » SEBP25920396

330B & 330B L Excavators 4RS00001-UP (MACHINE) POWERED BY 3306 Engine

----- 116-3578: CYLINDER GP-BOOM » SEBP26260437

----- 118-3921: CYLINDER GP-BUCKET » SEBP26260438

W330B MH Excavator AME00001-UP (MACHINE) POWERED BY 3306 Engine

----- 116-3578: CYLINDER GP-BOOM » SEBP29860222

330, 330L Excavators 2ZM00001-UP (MACHINE)

----- 7Y-4906: CYLINDER GP-BOOM » (BOOM CYLINDER) SEBP22920337

330B L, 330B LN Excavators 3YR00001-UP (MACHINE) POWERED BY 3306 Engine

----- 116-3578: CYLINDER GP-BOOM » SEBP25920395

----- 118-3921: CYLINDER GP-BUCKET » SEBP25920396

322B L Excavator 1YS00001-UP (MACHINE) POWERED BY 3116 Engine

----- 116-9123: CYLINDER GP-STICK » (STICK CYLINDER) SEBP25850408

322B L & 322B LN Excavators 1ZS00001-UP (MACHINE) POWERED BY 3116 Engine

----- 118-3921: CYLINDER GP-BUCKET » SEBP25930336

320B, 320B L, 320B LN, 320B N & 320B S Excavators 1XS00001-UP (MACHINE) POWERED BY 3116 Engine

----- 118-4000: CYLINDER GP-STICK » SEBP28400541

322C & 322C L Excavators BKM00001-UP (MACHINE) POWERED BY 3126 Engine

----- 116-9123: CYLINDER GP-STICK » SEBP31240392

322C L Excavator BKJ00001-UP (MACHINE) POWERED BY 3126 Engine

----- 116-9123: CYLINDER GP-STICK » (STICK CYLINDER) SEBP31470278

322C FOREST SWING MACHINES BPH00001-UP (MACHINE) POWERED BY 3126 Engine

----- 116-9123: CYLINDER GP-STICK » (STICK CYLINDER) SEBP32750297

325B L Excavator 2JR00001-UP (MACHINE) POWERED BY 3116 Engine

----- 118-4000: CYLINDER GP-STICK » (STICK CYLINDER) SEBP24350448

325B & 325B LN Excavators 6DN00001-UP (MACHINE) POWERED BY 3116 Engine

----- 118-3921: CYLINDER GP-BUCKET » SEBP25230380

----- 118-4000: CYLINDER GP-STICK » SEBP25230388

----- 147-9427: CYLINDER GP-STICK » SEBP25230389

325B L & 325B LN Excavators 4DS00001-UP (MACHINE) POWERED BY 3116 Engine

----- 118-3921: CYLINDER GP-BUCKET » SEBP26250393

----- 118-4000: CYLINDER GP-STICK » SEBP26250402

325C L Excavator BFE00001-UP (MACHINE) POWERED BY 3126B Engine

----- 116-9123: CYLINDER GP-STICK » (STICK CYLINDER) SEBP33530358

Product link : <https://www.jspseal.com/ct-1997416-seal-kit-105x150-mm.html>