

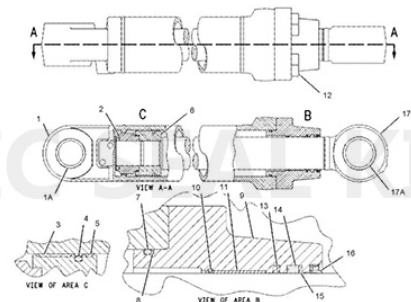
CT-7Y5147 SEAL KIT 95x130 mm



Part Number: CT-7Y5147 SEAL KIT

OEM Reference Number: 7Y5147

ROD: 95 mm, BORE: 130 mm



Hydraulic Cylinder Seal Kit Components

Items	Brand	Material	Color
Rod Seals	NOK/SKF/H605/SPRS	Urethane (TPU)	Ivory/Blue/Gray
Buffer Seals	JSPSEAL/SPRS	Urethane+PA or PTFE Bronze+NBR	Ivory/Purple
Wipers	JSPSEAL/SPRS	Urethane+Metal or NBR+Metal	Ivory/Black
Piston Seals	JSPSEAL	PTFE Bronze+NBR+PA OR Nylon+NBR	Brown/Green/Gold
Wear Rings	JSPSEAL	Phenolic Resion Cotton Fabric or PTFE Bronze	Brown/Blue/Yellow
Backup Rings	JSPSEAL	PA or PTFE or PTFE Bronze	Black/White/Brown
O-Rings	JSPSEAL	NBR (Hardness 90 Shore A)	Black

Applications:

325, 325L EXCAVATOR 2JK00001-UP (MACHINE)

? 7Y-4601: CYLINDER GP-BOOM » c526568325, 325L EXCAVATOR 8NK00001-UP (MACHINE) POWERED BY 3116 ENGINE

? 7Y-4601: CYLINDER GP-BOOM » c526568

325, 325 L AND 325 LN EXCAVATORS 2SL00001-UP (MACHINE) POWERED BY 3116 ENGINE

? 7Y-4601: CYLINDER GP-BOOM » c560199

325, 325L, 325LN EXCAVATORS 2SK00001-UP (MACHINE) POWERED BY 3116 ENGINE

? 7Y-4601: CYLINDER GP-BOOM » c646421

325, 325L EXCAVATOR 6RM00001-UP (MACHINE) POWERED BY 3116 ENGINE

? 7Y-4601: CYLINDER GP-BOOM » c709977

325, 325L TRACK TYPE EXCAVATORS 5WK00001-UP (MACHINE) POWERED BY 3116 ENGINE

? 7Y-4601: CYLINDER GP-BOOM » h42067e

325L SUPPLEMENT FOR TRACK-TYPE EXCAVATOR /18.2M (60')LONG REAC/ 9KL00296-UP (MACHINE)

? 7Y-4601: CYLINDER GP-BOOM » h42067e

Product link : <https://www.jspseal.com/ct-7y5147-seal-kit-95x130-mm.html>