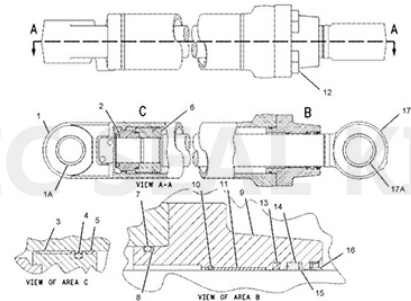


CT-2344576 SEAL KIT 105x150 mm



Hydraulic Cylinder Seal Kit Components			
Items	Brand	Material	Color
Rod Seals	NOK/SKF/H605/SPRS	Urethane (TPU)	Ivory/Blue/Gray
Buffer Seals	JSPSEAL/SPRS	Urethane+PA or PTFE Bronze+NBR	Ivory/Purple
Wipers	JSPSEAL/SPRS	Urethane+Metal or NBR+Metal	Ivory/Black
Piston Seals	JSPSEAL	PTFE Bronze+NBR+PA OR Nylon+NBR	Brown/Green/Gold
Wear Rings	JSPSEAL	Phenolic Resion Cotton Fabric or PTFE Bronze	Brown/Blue/Yellow
Backup Rings	JSPSEAL	PA or PTFE or PTFE Bronze	Black/White/Brown
O-Rings	JSPSEAL	NBR (Hardness 90 Shore A)	Black

Seal Kit equivalent to caterpillar Part Number 2344576

New OEM Aftermarket Seal Kit (Not branded CATERPILLAR, direct replacement). This seal kit is a high quality, direct replacement to original parts, at a fraction of the cost.

DESCRIPTION

? **Good quality seal parts** - Perfect Fit, More suitable for used machines

? **Factory direct sales** - Large quantity and best price

? **MOQ 1 set** - 5~7 days Delivery Time to any country

Description of replacement Seal 2344576

This is a replacement seal kit for CATERPILLAR EQUIPMENT®

Note: The actual contents of the kit may include additional components that are not listed above (i.e. o-rings, back-ups, etc.)

SERIAL NUMBER(s) - Note: This kit applies to the following models, cylinders, and serial numbers. This kit may also apply to other models, cylinders, and serial numbers not currently listed below.

328D LCR Excavator GTN00001-UP (MACHINE) POWERED BY C7 Engine

-----225-4588: CYLINDER & SEAL GP-STICK » (STICK CYLINDER) SEBP48670552

-----300-0199: CYLINDER & SEAL GP-STICK » (STICK CYLINDER) SEBP48670553

328D LCR Excavator MKR00001-UP (MACHINE) POWERED BY C7 Engine

-----225-4588: CYLINDER & SEAL GP-STICK » (STICK CYLINDER) SEBP48680485

329D & 329D L Excavators MNB00001-UP (MACHINE) POWERED BY C7 Engine

-----225-4588: CYLINDER & SEAL GP-STICK » (STICK CYLINDER) SEBP53820976

329D & 329D L Excavators BYS00001-UP (MACHINE) POWERED BY C7 Engine

-----225-4588: CYLINDER & SEAL GP-STICK » (STICK CYLINDER) SEBP53830561

328D LCR Excavator SWF00001-UP (MACHINE) POWERED BY C7 Engine

-----225-4588: CYLINDER & SEAL GP-STICK » (STICK CYLINDER) SEBP54800406

328D LCR Excavator RMX00001-UP (MACHINE) POWERED BY C7 Engine

-----225-4588: CYLINDER & SEAL GP-STICK » (STICK CYLINDER) SEBP54820444

-----300-0199: CYLINDER & SEAL GP-STICK » (STICK CYLINDER) SEBP54820446

329D & 329D L Excavators DTZ00001-UP (MACHINE) POWERED BY C7 Engine

-----225-4588: CYLINDER & SEAL GP-STICK » (STICK CYLINDER) SEBP54830591

325D L Mobile Hydraulic Power Unit H3N00001-UP (MACHINE) POWERED BY C7 Engine
-----225-4588: CYLINDER & SEAL GP-STICK » (STICK CYLINDER) SEBP52130196

329D L Mobile Hydraulic Power Unit J9D00001-UP (MACHINE) POWERED BY C7 Engine
-----225-4588: CYLINDER & SEAL GP-STICK » (STICK CYLINDER) SEBP62040395

320D & 320D L Excavators CXY00001-UP (MACHINE) POWERED BY 3066 Engine
-----225-4588: CYLINDER & SEAL GP-STICK » (STICK CYLINDER) SEBP44540377

320D & 320D L Excavators MCH00001-UP (MACHINE) POWERED BY C6.4 Engine
-----225-4588: CYLINDER & SEAL GP-STICK » (STICK CYLINDER) SEBP48710593

320D & 320D L Excavators FAL00001-UP (MACHINE) POWERED BY C6.4 Engine
-----225-4588: CYLINDER & SEAL GP-STICK » (STICK CYLINDER) SEBP48740981

320D & 320D L Excavators JGZ00001-UP (MACHINE) POWERED BY 3066 Engine
-----225-4588: CYLINDER & SEAL GP-STICK » (STICK CYLINDER) SEBP49320264

320D Log Loader GKS00001-UP (MACHINE) POWERED BY C6.4 Engine
-----289-7754: CYLINDER & SEAL GP-STICK » (STICK CYLINDER) SEBP49400386

320D & 320D L Excavators JFZ00001-UP (MACHINE) POWERED BY C6.4 Engine
-----225-4588: CYLINDER & SEAL GP-STICK » (STICK CYLINDER) SEBP52170431

320D L & 320D LN Excavators GDP00001-UP (MACHINE) POWERED BY C6.4 Engine
-----225-4588: CYLINDER & SEAL GP-STICK » (STICK CYLINDER) SEBP54680601

320D & 320D L Excavators KLM00001-UP (MACHINE) POWERED BY C6.4 Engine
-----225-4588: CYLINDER & SEAL GP-STICK » (STICK CYLINDER) SEBP54700592

320D L Excavator SPN00001-UP (MACHINE) POWERED BY C6.4 Engine
-----225-4588: CYLINDER & SEAL GP-STICK » (STICK CYLINDER) SEBP54720500

325D & 325D L Excavators AZP00001-UP (MACHINE) POWERED BY C7 Engine
-----225-4588: CYLINDER & SEAL GP-STICK » (STICK CYLINDER) SEBP44170747

325D & 325D L Excavators DBH00001-UP (MACHINE) POWERED BY C7 Engine

-----225-4588: CYLINDER & SEAL GP-STICK » (STICK CYLINDER) SEBP48700438

**All manufacturer's names, part numbers and descriptions are used for reference purposes only. We do not imply that any part shown is the product of these manufacturers. We also do not imply that the list price shown is exactly that of the manufacturer.*

Shipping Guide

- 1.All prices are based on EXW prices, have not including shipping cost
- 2.Small order and Sample order ship by air or Express (DHL, TNT, EMS),Freight Collect
- 3.General Order ship by sea or air.

Payment:

1. For small order, payment on line by Paypal/Western Union
2. T/T to our company bank account

Why choose JSPSEAL seal kits part?

- 1.Experience. We have been selling in the aftermarket for nearly 20 years, we know more about what kind of seal kits the machine needs under bad work conditions.
- 2.The accuracy of the dimensions.The same part number as the OEM, easy to query and purchase.
- 3.Price. We can beat all OEM parts in value, while as stated above the quality of the parts will remain the same.
- 4.Lead Times. JSPSEAL products have been exported for more than 10 years, and our extensive export experience can help you solve various transportation problems. We can ensure fast and efficient lead times across all JSPSEAL Parts.

How to find seal kit part number and send us an inquiry ?

To find the exact part for your machine, the best way to do it is to find out the part number you need, and then search it in our search bar on our homepage, www.jspseal.com. This will show you the right part for what you need, and you can order quickly without fuss.

However, if you can't find the part you need please [contact us](#) and we will source it for you.

More seal kits catalog down load: <https://www.jspseal.com/catalogs/>

Product link : <https://www.jspseal.com/ct-2344576-seal-kit-105x150-mm.html>