

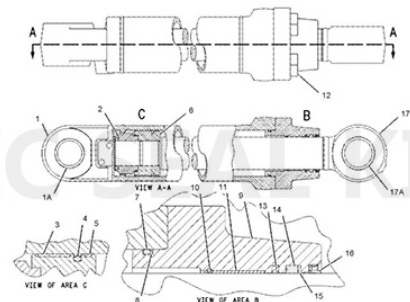
CT-2478888 SEAL KIT 85X120 mm Aftermarket



Part Number: CT-2478888 SEAL KIT

OEM Reference Number: 2478888

ROD: 85 mm, BORE: 120 mm



Hydraulic Cylinder Seal Kit Components			
Items	Brand	Material	Color
Rod Seals	NOK/SKF/H605/SPRS	Urethane (TPU)	Ivory/Blue/Gray
Buffer Seals	JSPSEAL/SPRS	Urethane+PA or PTFE Bronze+NBR	Ivory/Purple
Wipers	JSPSEAL/SPRS	Urethane+Metal or NBR+Metal	Invory/Black
Piston Seals	JSPSEAL	PTFE Bronze+NBR+PA OR Nylon+NBR	Brown/Green/Gold
Wear Rings	JSPSEAL	Phenolic Resion Cotton Fabric or PTFE Bronze	Brown/Blue/Yellow
Backup Rings	JSPSEAL	PA or PTFE or PTFE Bronze	Black/White/Brown
O-Rings	JSPSEAL	NBR (Hardness 90 Shore A)	Black

Catalogs:

SERIAL NUMBER(s) - Note: This kit applies to the following models, cylinders, and serial numbers. This kit may also apply to other models, cylinders, and serial numbers not currently listed below.

319D L & 319D LN Excavators EAW00001-UP (MACHINE) POWERED BY C4.2 Engine

- 259-0868: CYLINDER & SEAL GP-BUCKET □ (BUCKET CYLINDER) SEBP48620506

319D L & 319D LN Excavators AYF00001-UP (MACHINE) POWERED BY C4.2 Engine

- 259-0868: CYLINDER & SEAL GP-BUCKET □ (BUCKET CYLINDER) SEBP54660398

319D L & 319D LN Excavators KFM00001-UP (MACHINE) POWERED BY C4.2 Engine

- 259-0868: CYLINDER & SEAL GP-BUCKET □ (BUCKET CYLINDER) SEBP54670478

324D & 324D L Excavators CJX00001-UP (MACHINE) POWERED BY C7 Engine

- 242-6756: CYLINDER & SEAL GP-BUCKET □ (BUCKET CYLINDER) SEBP44180988

320D RR & 320D LRR Excavators EBY00001-UP (MACHINE) POWERED BY 3066 Engine

- 242-6756: CYLINDER & SEAL GP-BUCKET □ (BUCKET CYLINDER) SEBP44430298

320D & 320D L Excavators CXY00001-UP (MACHINE) POWERED BY 3066 Engine

- 242-6756: CYLINDER & SEAL GP-BUCKET □ (BUCKET CYLINDER) SEBP44540365

320D & 320D L Excavators MCH00001-UP (MACHINE) POWERED BY C6.4 Engine

- 242-6756: CYLINDER & SEAL GP-BUCKET □ (BUCKET CYLINDER) SEBP48710585

320D & 320D L Excavators FAL00001-UP (MACHINE) POWERED BY C6.4 Engine

- 242-6756: CYLINDER & SEAL GP-BUCKET □ (BUCKET CYLINDER) SEBP48740964

320D LRR Excavator XCK00001-UP (MACHINE) POWERED BY C6.4 Engine

- 242-6756: CYLINDER & SEAL GP-BUCKET □ (BUCKET CYLINDER) SEBP48760382

320D RR Excavator YDS00001-UP (MACHINE) POWERED BY C6.4 Engine

- 242-6756: CYLINDER & SEAL GP-BUCKET □ (BUCKET CYLINDER) SEBP48770381

320D LRR Excavator TAE00001-UP (MACHINE) POWERED BY C6.4 Engine

- 242-6756: CYLINDER & SEAL GP-BUCKET □ (BUCKET CYLINDER) SEBP48780395

320D LRR Excavator ZGB00001-UP (MACHINE) POWERED BY C6.4 Engine

- 242-6756: CYLINDER & SEAL GP-BUCKET □ (BUCKET CYLINDER) SEBP48790328

321D LCR Excavator MDT00001-UP (MACHINE) POWERED BY C6.4 Engine

-
- 242-6756: CYLINDER & SEAL GP-BUCKET □ (BUCKET CYLINDER) SEBP48800367

321D LCR Excavator NAS00001-UP (MACHINE) POWERED BY C6.4 Engine

- 242-6756: CYLINDER & SEAL GP-BUCKET □ (BUCKET CYLINDER) SEBP48810359

321D LCR Excavator PBD00001-UP (MACHINE) POWERED BY C6.4 Engine

- 242-6756: CYLINDER & SEAL GP-BUCKET □ (BUCKET CYLINDER) SEBP48820351

320D & 320D L Excavators JGZ00001-UP (MACHINE) POWERED BY 3066 Engine

- 242-6756: CYLINDER & SEAL GP-BUCKET □ (BUCKET) SEBP49320256

320D Forest Machines BZF00001-UP (MACHINE) POWERED BY C6.4 Engine

- 242-6756: CYLINDER & SEAL GP-BUCKET □ (BUCKET CYLINDER) SEBP49390453

320D & 320D L Excavators A6F00001-UP (MACHINE) POWERED BY C6.4 Engine

- 242-6756: CYLINDER & SEAL GP-BUCKET □ (BUCKET) SEBP49540484

320D L Excavator A9F00001-UP (MACHINE) POWERED BY C6.4 Engine

- 242-6756: CYLINDER & SEAL GP-BUCKET □ (BUCKET) SEBP49550402

320D & 320D L Excavators JFZ00001-UP (MACHINE) POWERED BY C6.4 Engine

- 242-6756: CYLINDER & SEAL GP-BUCKET □ (BUCKET) SEBP52170422

320D LN Excavator WBN00001-UP (MACHINE) POWERED BY C6.4 Engine

- 242-6756: CYLINDER & SEAL GP-BUCKET □ (BUCKET CYLINDER) SEBP52270325

323D L Excavator LFL00001-UP (MACHINE) POWERED BY C6.4 Engine

- 242-6756: CYLINDER & SEAL GP-BUCKET □ (BUCKET) SEBP52460394

323D L Excavator PBE00001-UP (MACHINE) POWERED BY C6.4 Engine

- 242-6756: CYLINDER & SEAL GP-BUCKET □ (BUCKET) SEBP53570341

323D L Excavator YSD00001-UP (MACHINE) POWERED BY C6.4 Engine

- 242-6756: CYLINDER & SEAL GP-BUCKET □ (BUCKET CYLINDER) SEBP53580620

323D & 323D L Excavators WGC00001-UP (MACHINE) POWERED BY C6.4 Engine

- 242-6756: CYLINDER & SEAL GP-BUCKET □ (BUCKET CYLINDER) SEBP53590413

320D L & 320D LN Excavators GDP00001-UP (MACHINE) POWERED BY C6.4 Engine

- 242-6756: CYLINDER & SEAL GP-BUCKET □ (BUCKET CYLINDER) SEBP54680589

320D LRR Excavator EJT00001-UP (MACHINE) POWERED BY C6.4 Engine

- 242-6756: CYLINDER & SEAL GP-BUCKET □ (BUCKET CYLINDER) SEBP54690326

320D & 320D L Excavators KLM00001-UP (MACHINE) POWERED BY C6.4 Engine

- 242-6756: CYLINDER & SEAL GP-BUCKET □ (BUCKET CYLINDER) SEBP54700583

320D RR & 320D LRR Excavators GMX00001-UP (MACHINE) POWERED BY C6.4 Engine

- 242-6756: CYLINDER & SEAL GP-BUCKET □ (BUCKET CYLINDER) SEBP54710396

320D L Excavator SPN00001-UP (MACHINE) POWERED BY C6.4 Engine

- 242-6756: CYLINDER & SEAL GP-BUCKET □ (BUCKET CYLINDER) SEBP54720493

321D LCR Excavator TXA00001-UP (MACHINE) POWERED BY C6.4 Engine

- 242-6756: CYLINDER & SEAL GP-BUCKET □ (BUCKET CYLINDER) SEBP54730356

321D LCR Excavator KBZ00001-UP (MACHINE) POWERED BY C6.4 Engine

- 242-6756: CYLINDER & SEAL GP-BUCKET □ (BUCKET CYLINDER) SEBP54740339

321D LCR Excavator MPG00001-UP (MACHINE) POWERED BY C6.4 Engine

- 242-6756: CYLINDER & SEAL GP-BUCKET □ (BUCKET CYLINDER) SEBP54750350

323D, 323D L & 323D LN Excavators CWG00001-UP (MACHINE) POWERED BY C6.4 Engine

- 242-6756: CYLINDER & SEAL GP-BUCKET □ (BUCKET CYLINDER) SEBP54760591

324D & 324D L Excavators JAT00001-UP (MACHINE) POWERED BY C7 Engine

- 242-6756: CYLINDER & SEAL GP-BUCKET □ (BUCKET CYLINDER) SEBP54770521

324D L Excavator PYT00001-UP (MACHINE) POWERED BY C7 Engine

- 242-6756: CYLINDER & SEAL GP-BUCKET □ (BUCKET CYLINDER) SEBP54780516

323D SA Excavator NES00001-UP (MACHINE) POWERED BY C6.4 Engine

- 242-6756: CYLINDER & SEAL GP-BUCKET □ (BUCKET CYLINDER) SEBP56060397

320D LRR Excavator DHE00001-UP (MACHINE) POWERED BY C6.4 Engine

-
- 242-6756: CYLINDER & SEAL GP-BUCKET □ (BUCKET CYLINDER) SEBP56080381

320D GC Excavator KTF00001-UP (MACHINE) POWERED BY C6.4 Engine

- 242-6756: CYLINDER & SEAL GP-BUCKET □ (BUCKET CYLINDER) SEBP56170212

320D GC Excavator PCM00001-UP (MACHINE) POWERED BY C6.4 Engine

- 242-6756: CYLINDER & SEAL GP-BUCKET □ (BUCKET) SEBP56180246

*All manufacturer's names, part numbers and descriptions are used for reference purposes only. We do not imply that any part shown is the product of these manufacturers. We also do not imply that the list price shown is exactly that of the manufacturer.

Product link : <https://www.jspseal.com/ct-2478888-seal-kit-85x120-mm-aftermarket.html>