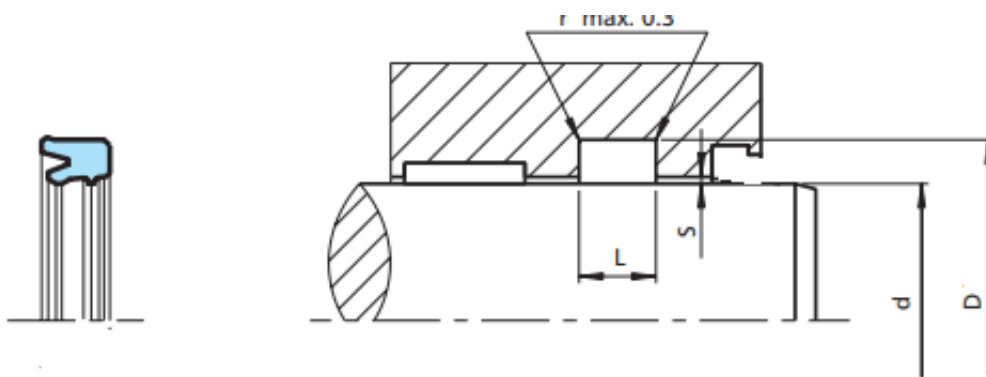

Rod Double Lip PU Seals JSUR



Advantages:

- Low friction and high sealing performance.
- Groove is simple, easy to install, can be used for closed groove.
- Unaffected by sudden loads and high pressure.
- Good chemical resistance and wear resistance
- Good sealing effect at high and low pressure.
- Compensates deflections of the rod.
- Form a good lubricating oil chamber between the sealed lips.
- The design of lips.

ITM	ID	OD	L
JSUR	50	60	6
JSUR	55	65	6
JSUR	60	70	6
JSUR	65	75	6

JSUR	70	80	6
JSUR	75	85	6
JSUR	80	90	6
JSUR	55	65	8
JSUR	65	75	8
JSUR	50	65	9
JSUR	55	65	9
JSUR	55	70	9
JSUR	60	75	9
JSUR	65	80	9
JSUR	70	85	9
JSUR	75	90	9
JSUR	80	95	9
JSUR	85	100	9
JSUR	90	105	9
JSUR	95	110	9
JSUR	100	115	9
JSUR	105	120	9
JSUR	110	125	9
JSUR	115	130	9
JSUR	120	135	9
JSUR	95	115	9
JSUR	50	63	10
JSUR	60	73	10
JSUR	55	68	10
JSUR	60	75	10
JSUR	65	78	10
JSUR	70	83	10
JSUR	80	93	10
JSUR	75	88	10
JSUR	70	85	10
JSUR	75	90	10
JSUR	80	95	10
JSUR	85	100	10
JSUR	90	105	10
JSUR	95	110	10
JSUR	100	115	10
JSUR	105	120	10
JSUR	100	120	10
JSUR	110	130	10
JSUR	120	140	10

JSUR	55	75	12
JSUR	60	80	12
JSUR	65	85	12
JSUR	70	90	12
JSUR	75	95	12
JSUR	85	100	12
JSUR	85	105	12
JSUR	90	110	12
JSUR	95	110	12
JSUR	95	115	12
JSUR	100	120	12
JSUR	105	125	12
JSUR	110	130	12
JSUR	115	135	12
JSUR	120	140	12
JSUR	130	150	12
JSUR	105	125	15
JSUR	115	135	16
JSUR	130	150	16

Product link : <https://www.jspseal.com/rod-double-lip-pu-seals-jsru.html>