
11990398 VOLVO L190C/L190D LOADERS Seal Kit 50 x 80 mm



Seal Kit equivalent to VOLVO ® L190C/L190D LOADERS Part Number 11990398

New OEM Aftermarket Seal Kit (Not branded VOLVO ®, direct replacement). This seal kit is a high quality, direct replacement to original parts, at a fraction of the cost.

Description of VOLVO® replacement Seal 11990398

Used in the following applications:

LOADERS - WHEEL, L180, STEERING, CYL #: 11005404, SERIAL #: ALL

LOADERS - WHEEL, L180C, STEERING, CYL #: 11088297, SERIAL #: 2533-4000;60465-70000

LOADERS - WHEEL, L180C BM, STEERING, CYL #: 11005404, SERIAL #: -1396;-60106

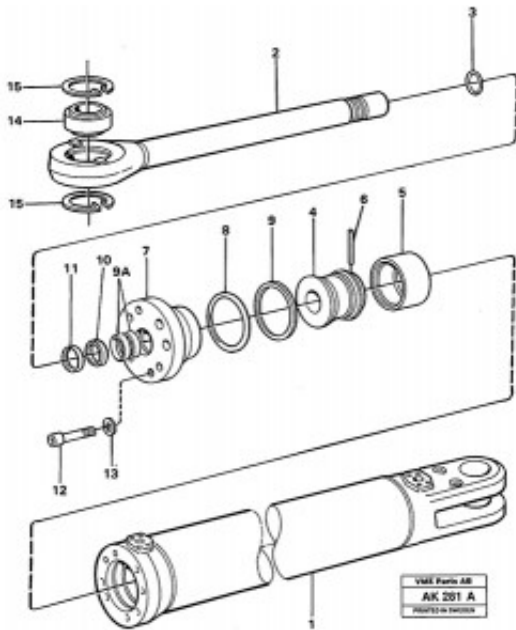
LOADERS - WHEEL, L180C BM, STEERING, CYL #: 11088297, SERIAL #: 1397;-60107-

LOADERS - WHEEL, L180D, STEERING, CYL #: 11088297, SERIAL #: 62001-70000;4002-5000

LOADERS - WHEEL, L180D HL, STEERING, CYL #: 11088297, SERIAL #: 62001-70000;4002-5000

*All manufacturer's names, part numbers, and descriptions are used for reference purposes only. We do not imply that any part shown is the product of these manufacturers. We also do not imply that the list price shown is exactly that of the manufacturer.

VOLVO LOADER L180/L180C/L180D STEERING SEAL KIT 11990398



Pos.	Part No	Qty	Parts name	
	VOE11088297	[1]	Hydraulic cylinder	
1.	VOE11005405	[1]	Cylinder tube	
2.	VOE11088719	[1]	Piston rod	
3.	VOE13960175	[1]	O-ring	In Stock
4.	VOE4782099	[1]	Piston	
5.	VOE4833025	[1]	Seal	In Stock
6.	VOE4782719	[1]	Spring pin	
7.	VOE11088506	[1]	Piston rod guide	
8.	VOE925079	[1]	O-ring	In Stock
9.	VOE4786834	[1]	Back-up ring	In Stock
9A.	VOE11088052	[2]	Bushing	In Stock
10.	VOE4784045	[1]	Piston rod seal	In Stock
11.	VOE11005053	[1]	Scraper ring	In Stock
12.	VOE4782857	[8]	Screw	
13.	VOE941908	[8]	Spring washer	
14.	VOE184062	[1]	Spherical plain bearing	
15.	VOE914538	[2]	Retaining ring	
	VOE11990398	[1]	Sealing kit	

Products Show



Hight Quality Seals



Replacement OEM Seals



Factory Direct Sales

Hydraulic Cylinder Seal Kit Components			
Items	Brand	Material	Color
Rod Seals	NOK/SKF/H605	Urethane (TPU)	Ivory/Blue/Gray
Buffer Seals	JSPSEAL	Urethane+PA or PTFE Bronze+NBR	Ivory/Purple
Wipers	JSPSEAL	Urethane+Metal or NBR+Metal	Ivory/Black
Piston Seals	JSPSEAL	PTFE Bronze+NBR+PA OR Nylon+NBR	Brown/Green/Gold
Wear Rings	JSPSEAL	Phenolic Resion Cotton Fabric or PTFE Bronze	Brown/Blue/Yellow
Backup Rings	JSPSEAL	PA or PTFE or PTFE Bronze	Black/White/Brown
O-Rings	JSPSEAL	NBR (Hardness 90 Shore A)	Black

Why choose JSPSEAL seal kit

- 1.Experience. We have been selling in the aftermarket for nearly 20 years, we know more about what kind of seal kits the machine needs under bad work conditions.
- 2.The accuracy of the dimensions.The same part number as the OEM, easy to query and purchase.
- 3.Price. We can beat all OEM parts in value, while as stated above the qulity of the parts will remain the same.
- 4.Lead Times. JSPSEAL products have been exported for more than 10 years, and our extensive export experience can help you solve various transportation problems. We can ensure fast and

efficient lead times across all JSPSEAL Parts.

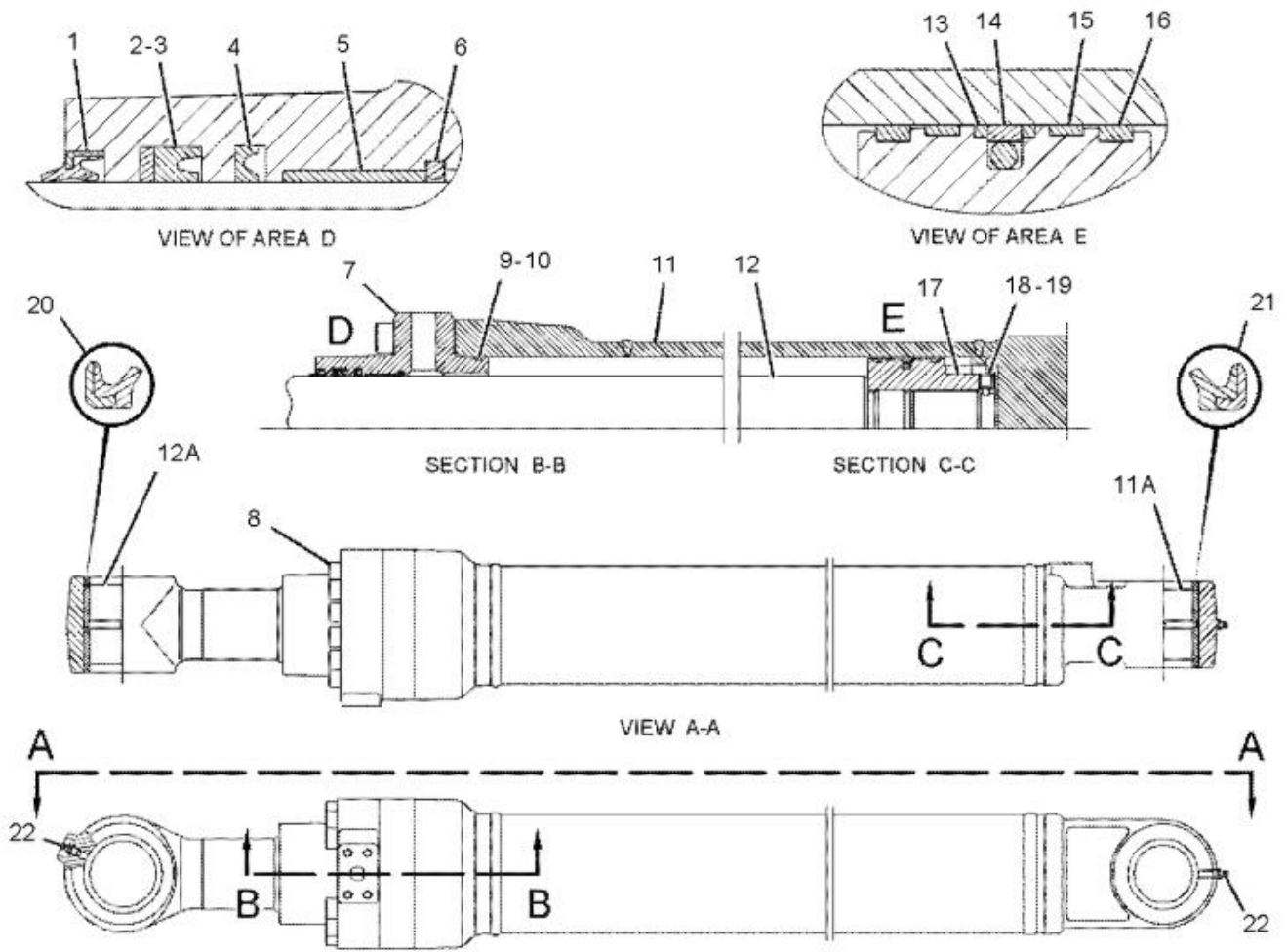
[More Seal Kits](#)



How to find seal kit part number ?

To find the exact part for your machine, the best way to do it is to find out the part number you need, and then search it in our search bar on our homepage, www.jspseal.com. This will show you the right part for what you need, and you can order quickly without fuss.

However, if you can't find the part you need please [contact us](#) and we will source it for you.



Our Services

Chat on line

Whatsapp/Wechat/Skype

OEM part number

We can help you find OEM part number

Shipment

Express/Air/Sea

[Not quite sure yet?](#)

[Why not visit our contact page, we would love to chat with you!](#)

-

Product

link : <https://www.jspseal.com/11990398-volvo-l190cl190d-loaders-seal-kit-50-x-80-mm.html>