

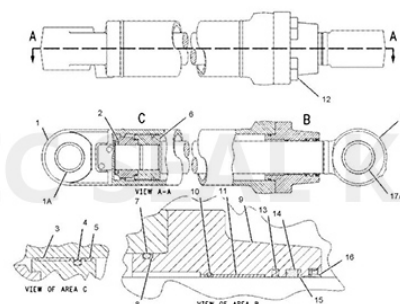
## CT-2344488 SEAL KIT 95x135 mm



Part Number: CT-2344488 SEAL KIT

OEM Reference Number: 2344488

ROD: 95 mm, BORE: 135 mm



Hydraulic Cylinder Seal Kit Components			
Items	Brand	Material	Color
Rod Seals	NOK/SKF/H605/SPRS	Urethane (TPU)	Ivory/Blue/Gray
Buffer Seals	JSPSEAL/SPRS	Urethane+PA or PTFE Bronze+NBR	Ivory/Purple
Wipers	JSPSEAL/SPRS	Urethane+Metal or NBR+Metal	Ivory/Black
Piston Seals	JSPSEAL	PTFE Bronze+NBR+PA OR Nylon+NBR	Brown/Green/Gold
Wear Rings	JSPSEAL	Phenolic Resion Cotton Fabric or PTFE Bronze	Brown/Blue/Yellow
Backup Rings	JSPSEAL	PA or PTFE or PTFE Bronze	Black/White/Brown
O-Rings	JSPSEAL	NBR (Hardness 90 Shore A)	Black

### DESCRIPTION

---

This is a replacement seal kit for CATERPILLAR EQUIPMENT®

Note: The actual contents of the kit may include additional components that are not listed above (i.e. o-rings, back-ups, etc.)

**SERIAL NUMBER(s)** - Note: This kit applies to the following models, cylinders, and serial numbers. This kit may also apply to other models, cylinders, and serial numbers not currently listed below.

EXCAVATORS, 324D L, BOOM, CYL #: 2426849, SERIAL #: JJG1-UP; LAB1-UP; SYM1-UP

EXCAVATORS, 324D L, BOOM, CYL #: 2897957, SERIAL #: BTK1-UP; JJG1-UP; LAB1-UP; PYT1-UP; SYM1-UP

EXCAVATORS, 325D L, BUCKET, CYL #: 2254578, SERIAL #: A3R1-UP; GBR1-UP; GPB1-UP; JCL1-UP; MCL1-UP; PAL1-UP; PKE1-UP; T2S1-UP

EXCAVATORS, 325D L, BUCKET, CYL #: 2898004, SERIAL #: A3R1-UP; GBR1-UP; GPB1-UP; LAL1-UP; MCL1-UP; NAC1-UP; PAL1-UP; PKE1-UP

EXCAVATORS, 325D LN, BUCKET, CYL #: 2254578, SERIAL #: GPB1-UP; PKE1-UP

EXCAVATORS, 325D LN, BUCKET, CYL #: 2898004, SERIAL #: GPB1-UP; PKE1-UP

*\*All manufacturer's names, part numbers and descriptions are used for reference purposes only. We do not imply that any part shown is the product of these manufacturers. We also do not imply that the list price shown is exactly that of the manufacturer.*

Product link : <https://www.jspseal.com/ct-2344488-seal-kit-95x135-mm.html>