

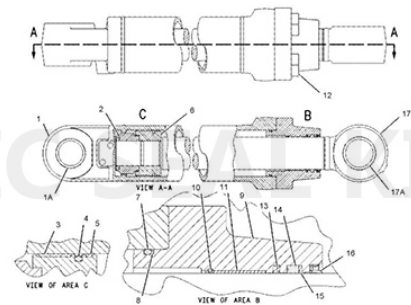
# CT-2481168 SEAL KIT 105X150 mm Aftermarket



Part Number: CT-2481168 SEAL KIT

OEM Reference Number: 2481168

ROD: 105 mm, BORE: 150 mm



Hydraulic Cylinder Seal Kit Components			
Items	Brand	Material	Color
Rod Seals	NOK/SKF/H605/SPRS	Urethane (TPU)	Ivory/Blue/Gray
Buffer Seals	JSPSEAL/SPRS	Urethane+PA or PTFE Bronze+NBR	Ivory/Purple
Wipers	JSPSEAL/SPRS	Urethane+Metal or NBR+Metal	Invory/Black
Piston Seals	JSPSEAL	PTFE Bronze+NBR+PA OR Nylon+NBR	Brown/Green/Gold
Wear Rings	JSPSEAL	Phenolic Resion Cotton Fabric or PTFE Bronze	Brown/Blue/Yellow
Backup Rings	JSPSEAL	PA or PTFE or PTFE Bronze	Black/White/Brown
O-Rings	JSPSEAL	NBR (Hardness 90 Shore A)	Black

Catalogs:

SERIAL NUMBER(s) - Note: This kit applies to the following models, cylinders, and serial numbers. This kit may also apply to other models, cylinders, and serial numbers not currently listed below.

---

330B L Excavator 6DR00001-UP (MACHINE) POWERED BY 3306 Engine

>>>>>118-3921: CYLINDER GP-BUCKET □ (BUCKET CYLINDER) SEBP24370484

1390 Track Feller Buncher B3F00001-02310 (MACHINE)

>>>>>234-5857: CYLINDER GP-HYDRAULIC □ SEBP42760193

541 Track Feller Buncher 54100001-UP (MACHINE) POWERED BY C-9 Engine

>>>>>234-5857: CYLINDER GP-HYDRAULIC □ SEBP45880361

551 Track Feller Buncher 55100001-UP (MACHINE) POWERED BY C-9 Engine

>>>>>234-5857: CYLINDER GP-HYDRAULIC □ SEBP45890360

552 Track Feller Buncher 55200001-UP (MACHINE) POWERED BY C-9 Engine

>>>>>234-5857: CYLINDER GP-HYDRAULIC □ SEBP45900353

1390 Track Feller Buncher B3F02310-UP (MACHINE)

>>>>>234-5857: CYLINDER GP-HYDRAULIC □ SEBP45920157

2590 Track Feller Buncher P6B00001-UP (MACHINE) POWERED BY C9 Engine

>>>>>234-5857: CYLINDER GP-HYDRAULIC □ SEBP51090309

541 Series 2 Track Feller Buncher F7D00001-UP (MACHINE) POWERED BY C9 Engine

>>>>>234-5857: CYLINDER GP-HYDRAULIC □ SEBP51190354

552 Series 2 Track Feller Buncher F7G00001-UP (MACHINE)

>>>>>234-5857: CYLINDER GP-HYDRAULIC □ SEBP51250353

TK741 Track Feller Buncher 20200001-UP (MACHINE) POWERED BY C-9 Engine

>>>>>234-5857: CYLINDER GP-HYDRAULIC □ SEBP40100282

TK751 Track Feller Buncher 30100001-01114 (MACHINE) POWERED BY C-9 Engine

>>>>>234-5857: CYLINDER GP-HYDRAULIC □ SEBP40110276

TK752 Track Feller Buncher 30200001-UP (MACHINE) POWERED BY C-9 Engine

>>>>>234-5857: CYLINDER GP-HYDRAULIC □ SEBP40120279

322B L Excavator 1YS00001-UP (MACHINE) POWERED BY 3116 Engine

---

>>>>118-3921: CYLINDER GP-BUCKET □ (BUCKET CYLINDER) SEBP25850397

325B L Excavator 2JR00001-UP (MACHINE) POWERED BY 3116 Engine

>>>>118-3921: CYLINDER GP-BUCKET □ (BUCKET CYLINDER) SEBP24350436

\*All manufacturer's names, part numbers and descriptions are used for reference purposes only. We do not imply that any part shown is the product of these manufacturers. We also do not imply that the list price shown is exactly that of the manufacturer.

Product link : <https://www.jspseal.com/ct-2481168-seal-kit-105x150-mm-aftermarket.html>