

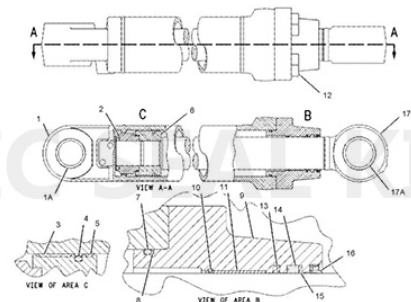
CT-2590627SEAL KIT 90x130 mm



Part Number: CT-2590627 SEAL KIT

OEM Reference Number: 2590627

ROD: 90 mm, BORE: 130 mm



| Hydraulic Cylinder Seal Kit Components | | | |
|--|-------------------|---|-------------------|
| Items | Brand | Material | Color |
| Rod Seals | NOK/SKF/H605/SPRS | Urethane (TPU) | Ivory/Blue/Gray |
| Buffer Seals | JSPSEAL/SPRS | Urethane+PA or PTFE Bronze+NBR | Ivory/Purple |
| Wipers | JSPSEAL/SPRS | Urethane+Metal or NBR+Metal | Ivory/Black |
| Piston Seals | JSPSEAL | PTFE Bronze+NBR+PA OR Nylon+NBR | Brown/Green/Gold |
| Wear Rings | JSPSEAL | Phenolic Resion Cotton Fabric or PTFE Bronze | Brown/Blue/Yellow |
| Backup Rings | JSPSEAL | PA or PTFE or PTFE Bronze | Black/White/Brown |
| O-Rings | JSPSEAL | NBR (Hardness 90 Shore A) | Black |

DESCRIPTION

This is a replacement seal kit for CATERPILLAR EQUIPMENT®

Note: The actual contents of the kit may include additional components that are not listed above (i.e. o-rings, back-ups, etc.)

SERIAL NUMBER(s) - Note: This kit applies to the following models, cylinders, and serial numbers. This kit may also apply to other models, cylinders, and serial numbers not currently listed below.

EXCAVATORS, 320C, BUCKET, CYL #: 2096011, SERIAL #: AMC1-UP; ANB1-UP; MAB1-UP; PAB1-UP

EXCAVATORS, 320C L, BUCKET, CYL #: 2096011, SERIAL #: AMC1-UP; ANB1-UP; MAB1-UP; PAB1-UP

EXCAVATORS, 322C, BUCKET, CYL #: 2043621, SERIAL #: BKM1-UP; BLP1-UP

EXCAVATORS, 322C L, BUCKET, CYL #: 2043621, SERIAL #: BKM1-UP; BLP1-UP

EXCAVATORS, 325C, BUCKET, CYL #: 2096011, SERIAL #: AMH1-UP; BKW1-UP; BMM1-UP; BTD1-UP

EXCAVATORS, 325C L, BUCKET, CYL #: 2096011, SERIAL #: AMH1-UP; BKW1-UP; BMM1-UP; BTD1-UP

EXCAVATORS, 325C L, BUCKET, CYL #: 1799793, SERIAL #: BKW1-UP; BMM1-UP

**All manufacturer's names, part numbers and descriptions are used for reference purposes only. We do not imply that any part shown is the product of these manufacturers. We also do not imply that the list price shown is exactly that of the manufacturer.*

Product link : <https://www.jspseal.com/ct-2590627seal-kit-90x130-mm.html>