

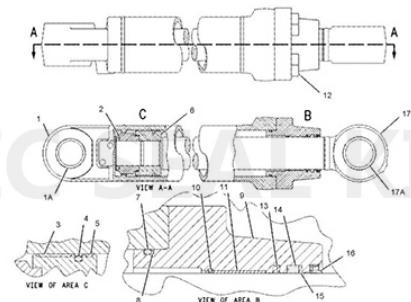
CT-2159989 SEAL KIT 110x160 mm



Part Number: CT-2159989 SEAL KIT

OEM Reference Number: 2159989

ROD: 110 mm, BORE: 160 mm



Hydraulic Cylinder Seal Kit Components

Items	Brand	Material	Color
Rod Seals	NOK/SKF/H605/SPRS	Urethane (TPU)	Ivory/Blue/Gray
Buffer Seals	JSPSEAL/SPRS	Urethane+PA or PTFE Bronze+NBR	Ivory/Purple
Wipers	JSPSEAL/SPRS	Urethane+Metal or NBR+Metal	Ivory/Black
Piston Seals	JSPSEAL	PTFE Bronze+NBR+PA OR Nylon+NBR	Brown/Green/Gold
Wear Rings	JSPSEAL	Phenolic Resion Cotton Fabric or PTFE Bronze	Brown/Blue/Yellow
Backup Rings	JSPSEAL	PA or PTFE or PTFE Bronze	Black/White/Brown
O-Rings	JSPSEAL	NBR (Hardness 90 Shore A)	Black

Applications:

EXCAVATORS, 345B II, BUCKET, CYL # 118-3935

Product link : <https://www.jspseal.com/ct-2159989-seal-kit-110x160-mm.html>