

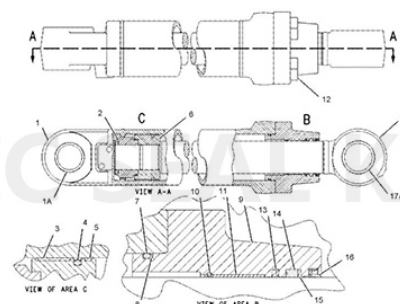
## CT-2344566 SEAL KIT 100x140 mm



Part Number: CT-2344566 SEAL KIT

OEM Reference Number: 2344566

ROD: 100 mm, BORE: 140 mm



Hydraulic Cylinder Seal Kit Components			
Items	Brand	Material	Color
Rod Seals	NOK/SKF/H605/SPRS	Urethane (TPU)	Ivory/Blue/Gray
Buffer Seals	JSPSEAL/SPRS	Urethane+PA or PTFE Bronze+NBR	Ivory/Purple
Wipers	JSPSEAL/SPRS	Urethane+Metal or NBR+Metal	Ivory/Black
Piston Seals	JSPSEAL	PTFE Bronze+NBR+PA OR Nylon+NBR	Brown/Green/Gold
Wear Rings	JSPSEAL	Phenolic Resion Cotton Fabric or PTFE Bronze	Brown/Blue/Yellow
Backup Rings	JSPSEAL	PA or PTFE or PTFE Bronze	Black/White/Brown
O-Rings	JSPSEAL	NBR (Hardness 90 Shore A)	Black

### DESCRIPTION

---

This is a replacement seal kit for CATERPILLAR EQUIPMENT®

Note: The actual contents of the kit may include additional components that are not listed above (i.e. o-rings, back-ups, etc.)

**SERIAL NUMBER(s)** - Note: This kit applies to the following models, cylinders, and serial numbers. This kit may also apply to other models, cylinders, and serial numbers not currently listed below.

328D LCR Excavator GTN00001-UP (MACHINE) POWERED BY C7 Engine

-----266-7935: CYLINDER & SEAL GP-BOOM » (BOOM CYLINDER) SEBP48670545

328D LCR Excavator MKR00001-UP (MACHINE) POWERED BY C7 Engine

-----266-7935: CYLINDER & SEAL GP-BOOM » (BOOM CYLINDER) SEBP48680477

329D & 329D L Excavators MNB00001-UP (MACHINE) POWERED BY C7 Engine

-----225-4584: CYLINDER & SEAL GP-BOOM » (BOOM CYLINDER) SEBP53820951

329D & 329D L Excavators BYS00001-UP (MACHINE) POWERED BY C7 Engine

-----225-4584: CYLINDER & SEAL GP-BOOM » (BOOM CYLINDER) SEBP53830542

328D LCR Excavator SWF00001-UP (MACHINE) POWERED BY C7 Engine

-----266-7935: CYLINDER & SEAL GP-BOOM » (BOOM CYLINDER) SEBP54800400

328D LCR Excavator RMX00001-UP (MACHINE) POWERED BY C7 Engine

-----266-7935: CYLINDER & SEAL GP-BOOM » (BOOM CYLINDER) SEBP54820435

329D & 329D L Excavators DTZ00001-UP (MACHINE) POWERED BY C7 Engine

-----225-4584: CYLINDER & SEAL GP-BOOM » (BOOM CYLINDER) SEBP54830572

329D L Excavator TZL00001-UP (MACHINE) POWERED BY C7 Engine

-----225-4584: CYLINDER & SEAL GP-BOOM » (BOOM CYLINDER) SEBP62090596

325D L Mobile Hydraulic Power Unit H3N00001-UP (MACHINE) POWERED BY C7 Engine

-----225-4584: CYLINDER & SEAL GP-BOOM » (BOOM CYLINDER) SEBP52130190

329D L Mobile Hydraulic Power Unit J9D00001-UP (MACHINE) POWERED BY C7 Engine

-----225-4584: CYLINDER & SEAL GP-BOOM » (BOOM CYLINDER) SEBP62040389

320D Log Loader GKS00001-UP (MACHINE) POWERED BY C6.4 Engine

---

-----289-7752: CYLINDER & SEAL GP-BOOM » (BOOM CYLINDER) SEBP49400382

325D & 325D L Excavators AZP00001-UP (MACHINE) POWERED BY C7 Engine

-----225-4584: CYLINDER & SEAL GP-BOOM » (BOOM CYLINDER) SEBP44170719

325D & 325D L Excavators DBH00001-UP (MACHINE) POWERED BY C7 Engine

-----225-4584: CYLINDER & SEAL GP-BOOM » (BOOM CYLINDER) SEBP48700426

*\*All manufacturer's names, part numbers and descriptions are used for reference purposes only. We do not imply that any part shown is the product of these manufacturers. We also do not imply that the list price shown is exactly that of the manufacturer.*

Product link : <https://www.jspseal.com/ct-2344566-seal-kit-100x140-mm.html>