
122535A1 Swing Cylinder Seal Kit Fits Case



Seal Kit equivalent to CASE® Part Number 122535A1

New OEM Aftermarket Seal Kit (Not branded CASE®, direct replacement). This seal kit is a high-quality, direct replacement of original parts, at a fraction of the cost.

Description of CASE® Replacement Seal 122535A1

Used in the following applications:

(7000) - SUGAR CANE HARVESTER (CHASSIS START NUMBER 0001534) (BRAZIL) (1/97-12/07)

(B02.06[01]) - Hydraulic Cylinder {Elevator Slew} □ 122535A1

(7700) - AUSTOFT SUGAR CANE HARVESTER (2002) (12/02-12/02)

(B02[06]) - HYDRAULIC CYLINDER {Elevator Slew} □ 122535A1

(7700) - AUSTOFT SUGAR CANE HARVESTER - 2003 (1/03-12/03)

(B02[06]) - HYDRAULIC CYLINDER {Elevator Slew} □ 122535A1

(7700) - SUGAR CANE HARVESTER (CHASSIS START NUMBER 0001534) (BRAZIL) (1/02-12/02)

(B02.06[01]) - Hydraulic Cylinder {Elevator Slew} □ 122535A1

(A7000) - SUGAR CANE HARVESTER (BRAZIL) - 2006 (4/06-12/09)

(B02.06[01]) - Hydraulic Cylinder {Elevator Slew} □ 122535A1

(A7700) - SUGAR CANE HARVESTER (BRAZIL) - 2006 (4/06-12/09)

(B02.06[01]) - Hydraulic Cylinder {Elevator Slew} □ 122535A1

(A7700) - SUGAR CANE HARVESTER (BRAZIL) - 2008 (1/08-12/09)

(B02.06[01]) - Hydraulic Cylinder {Elevator Slew} □ 122535A1

(A8000) - SUGAR CANE HARVESTER (BRAZIL) (TYRE MACHINE) - ASN 880001 (4/09-)

(80.420.AB[02]) - HYDRAULIC CYLINDER (ELEVATOR SLEW) □ 122535A1

(A8800) - SUGAR CANE HARVESTER (BRAZIL) (TRACK MACHINE) - ASN 880001 (4/09-)

(80.420.AB[02]) - HYDRAULIC CYLINDER (ELEVATOR SLEW) □ 122535A1

(A8800) - SUGAR CANE MULTI ROW BR (5/13-12/15)

(80.420.AB[02]) - HYDRAULIC CYLINDER (ELEVATOR SLEW) □ 122535A1

(580L) - LOADER BACKHOE (NORTH AMERICA) (2/97-12/97)

(8-130) - BACKHOE SWING CYLINDERS, 4 INCH INSIDE DIAMETER □ 122535A1

(8-131A) - BACKHOE SWING CYLINDER, 4 INCH INSIDE DIAMETER □ 122535A1

(590L) - LOADER BACKHOE (1/98-12/98)

(8-154) - BACKHOE SWING CYLINDERS, MODELS WITH PRIORITY SWING □ 122535A1

(8-156) - BACKHOE SWING CYLINDERS, MODELS WITH NON-PRIORITY SWING □ 122535A1

(580M) - SERIES 3 LOADER BACKHOE TIER 3 (NA) - ASN N8C500000 (2/08-12/10)

(00-01) - INITIAL STOCKING LIST (ISL) □ 122535A1

(580N) - LOADER BACKHOE (TIER 3) (4/10-12/12)

(05.500.01[02]) - INITIAL STOCKING LIST "B" (ISL) - FOR NA ONLY □ 122535A1

(580SL) - LOADER BACKHOE (5/98-12/00)

(8-156) - BACKHOE SWING CYLINDERS, MODELS WITH PRIORITY SWING □ 122535A1

(8-158) - BACKHOE SWING CYLINDERS, MODELS WITH NON-PRIORITY SWING □ 122535A1

(580SL) - SERIES 2 LOADER BACKHOE - ASN JYG0258464 (4/94-12/00)

(8-134) - BACKHOE SWING CYLINDERS □ 122535A1

(590SL) - LOADER BACKHOE (3/95-12/98)

(8-154) - BACKHOE SWING CYLINDERS, MODELS WITH PRIORITY SWING □ 122535A1

(8-156) - BACKHOE SWING CYLINDERS, MODELS WITH NON-PRIORITY SWING □ 122535A1
(590SL) - SERIES 2 LOADER BACKHOE - ASN JG0210575 (3/98-12/00)
(9-18) - BACKHOE SWING CYLINDERS □ 122535A1
(580SM) - LOADER BACKHOE (NORTH AMERICA) (12/99-12/04)
(08-58) - CYLINDER ASSY - BACKHOE SWING □ 122535A1
(580SM) - SERIES 2 LOADER BACKHOE (TIER 2) (NA) - ASN N4C304000 (2/04-12/08)
(08-66) - CYLINDER ASSY - BACKHOE SWING □ 122535A1
(580SM) - SERIES 3 LOADER BACKHOE TIER 3 (NA) - ASN N8C5040000 (2/08-12/10)
(05.100.01[01]) - INITIAL STOCKING LIST (ISL) 580SM □ 122535A1
(05.100.01[02]) - INITIAL STOCKING LIST (ISL) 580SM+ □ 122535A1
(35.739.02[01]) - CYLINDER ASSY - BACKHOE SWING □ 122535A1
(580SM) - SERIES 3 TLB TIER 3 DECOMPLEXITY - COMPLETED FIGURES (2/08-12/10)
(35.739.02[01]) - CYLINDER ASSY - BACKHOE SWING □ 122535A1
(580SM+) - SERIES 2 LOADER BACKHOE (TIER 2) (NA) - ASN N4C307000 (2/04-12/08)
(08-66) - CYLINDER ASSY - BACKHOE SWING □ 122535A1
(580SM+) - SERIES 3 LOADER BACKHOE TIER 3 (NA) - ASN N8C508000 (2/08-12/08)
(05.100.01[01]) - INITIAL STOCKING LIST (ISL) 580SM □ 122535A1
(05.100.01[02]) - INITIAL STOCKING LIST (ISL) 580SM+ □ 122535A1
(35.739.02[01]) - CYLINDER ASSY - BACKHOE SWING □ 122535A1
(590SM) - LOADER BACKHOE (NORTH AMERICA) (12/01-12/04)
(08-57) - CYLINDER ASSY - BACKHOE SWING □ 122535A1
(590SM) - SERIES 2 LOADER BACKHOE (TIER 2) (NA) - ASN N4C309000 (1/03-12/08)
(08-66) - CYLINDER ASSY - BACKHOE SWING □ 122535A1
(590SM) - SERIES 3 LOADER BACKHOE TIER 3 (NA) - ASN N8C508500 (2/08-12/10)
(00-01[01]) - INITIAL STOCKING LIST (ISL) 590SM □ 122535A1

(00-01[02]) - INITIAL STOCKING LIST (ISL) 590SM+ □ 122535A1

(08-66) - CYLINDER ASSY - BACKHOE SWING □ 122535A1

(590SM+) - SERIES 3 LOADER BACKHOE TIER 3 (NA) - ASN N8C509200 (2/08-12/10)

(00-01[01]) - INITIAL STOCKING LIST (ISL) 590SM □ 122535A1

(00-01[02]) - INITIAL STOCKING LIST (ISL) 590SM+ □ 122535A1

(08-66) - CYLINDER ASSY - BACKHOE SWING □ 122535A1

(580SN) - BACKHOE LOADER - TIER 4A - FROM PIN NCC564000 (3/12-2/15)

(35.739.0202) - CYLINDER - BACKHOE SWING □ 122535A1

(580SN) - LOADER BACKHOE - TIER 3 (4/10-12/12)

(05.500.01[02]) - INITIAL STOCKING LIST "B" (ISL) - FOR NA ONLY □ 122535A1

(35.739.03) - CYLINDER - BACKHOE SWING (580SN, 580SN WT, 590SN) □ 122535A1

(580SN) - LOADER BACKHOE - TIER 3 NRC (3/12-2/15)

(35.739.0202) - HYDRAULIC SYSTEM - CYLINDER BACKHOE SWING / STABILIZER □ 122535A1

(580SN WT) - BACKHOE LOADER, WIDE TRACK - TIER 3 (7/09-12/12)

(05.500.01[02]) - INITIAL STOCKING LIST "B" (ISL) - FOR NA ONLY □ 122535A1

(35.739.03) - CYLINDER - BACKHOE SWING (580SN, 580SN WT, 590SN) □ 122535A1

(580SN WT) - BACKHOE LOADER, WIDE TRACK - TIER 4A (3/12-2/15)

(35.739.0202) - CYLINDER - BACKHOE SWING □ 122535A1

(590SN) - BACKHOE LOADER - TIER 4A (3/12-2/15)

(35.739.0202) - CYLINDER - BACKHOE SWING □ 122535A1

(590SN) - LOADER BACKHOE (TIER 3) (11/10-12/12)

(05.500.01[02]) - INITIAL STOCKING LIST "B" (ISL) - FOR NA ONLY □ 122535A1

(35.739.03) - CYLINDER - BACKHOE SWING (580SN, 580SN WT, 590SN) □ 122535A1

(590SN) - LOADER BACKHOE - TIER 3 NRC (3/12-2/15)

(35.739.0202) - HYDRAULIC SYSTEM - CYLINDER BACKHOE SWING / STABILIZER □ 122535A1

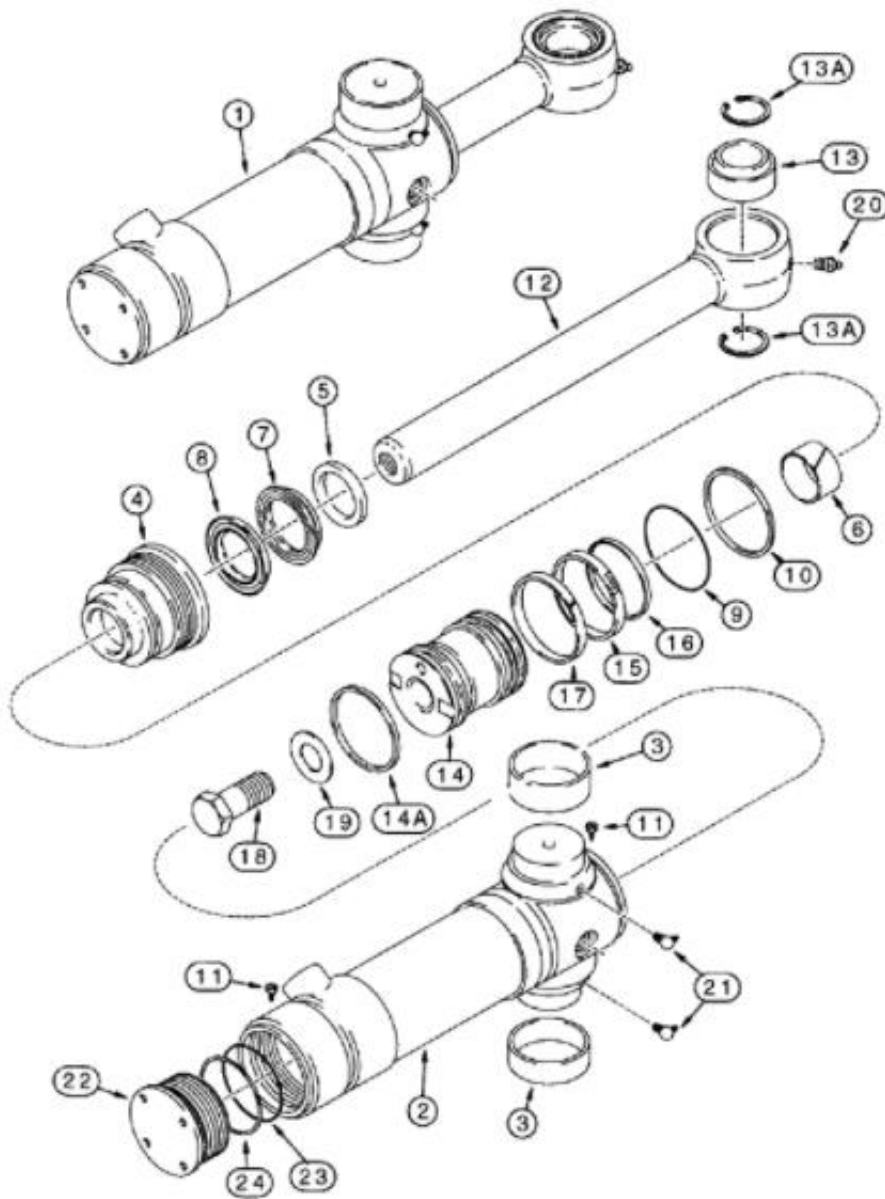
(570LXT) - LOADER LANDSCAPER (1/94-12/97)

(8-130) - BACKHOE SWING CYLINDERS, 4 INCH INSIDE DIAMETER □ 122535A1

(8-131A) - BACKHOE SWING CYLINDER, 4 INCH INSIDE DIAMETER □ 122535A1

*All manufacturer's names, part numbers, and descriptions are used for reference purposes only. We do not imply that any part shown is the product of these manufacturers. We also do not imply that the list price shown is exactly that of the manufacturer.

122535A1 SEAL KIT



1.	139808A1	[2]	CYLINDER ASSY.	
2.	139810A1	[1]	TUBE,101.60mm Dia	

2.	199953A1	[1]	BARREL,101.6mm Diameter	
3.	124568A2	[2]	RING,69.92mm ID x 77mm OD x 28mm L	
..	NSS	[1]	NOT SOLD SEPARAT	
4.	G109899	[1]	GLAND	
5.	D95144	[1]	WIPER SEAL,	IN STOCK
6.	G101533	[1]	WEAR RING,Split	IN STOCK
..	1542876C1	[1]	SEAL KIT,50.8mm Rod	IN STOCK
7.	1543001C1	[1]	SEAL	
8.	1543000C1	[1]	SEAL	
9.	238-5239	[1]	O-RING	IN STOCK
10.	G109299	[1]	BACK-UP RING,	IN STOCK
11.	276-2446	[2]	SELF-TAP SCREW,Hex Hd, #8 x 3/8"	
12.	177518A1	[1]	PISTON ROD	
13.	137248A1	[1]	RING,50.79mm ID x 80.96mm OD x 44.45mm W	
13A.	100-21315	[2]	SNAP RING,3.156", Int, #315	
14.	112370A2	[1]	JACK PISTON	
14A.	121478A1	[1]	RING,	IN STOCK
15.	G102285	[1]	SEAL,Locking,	IN STOCK
16.	G100440	[1]	RING,Square,	IN STOCK
17.	G100448	[1]	RING,1	IN STOCK
18.	28-1664	[1]	BOLT,Hex,	
19.	G32303	[1]	WASHER,	
20.	219-1	[1]	LUBE NIPPLE,	
21.	219-55	[2]	LUBE NIPPLE,	
..	124462A1	[1]	CYLINDER END CAP	
22.	124463A1	[1]	CYLINDER END CAP	
23.	238-5242	[1]	O-RING,	IN STOCK
24.	G32176	[1]	BACK-UP RING	IN STOCK
..	122535A1	[1]	SEAL KIT	

Products Show



Hight Quality Seals



Replacement OEM Seals



Factory Direct Sales

Hydraulic Cylinder Seal Kit Components			
Items	Brand	Material	Color
Rod Seals	NOK/SKF/H605	Urethane (TPU)	Ivory/Blue/Gray
Buffer Seals	JSPSEAL	Urethane+PA or PTFE Bronze+NBR	Ivory/Purple
Wipers	JSPSEAL	Urethane+Metal or NBR+Metal	Ivory/Black
Piston Seals	JSPSEAL	PTFE Bronze+NBR+PA OR Nylon+NBR	Brown/Green/Gold
Wear Rings	JSPSEAL	Phenolic Resion Cotton Fabric or PTFE Bronze	Brown/Blue/Yellow
Backup Rings	JSPSEAL	PA or PTFE or PTFE Bronze	Black/White/Brown
O-Rings	JSPSEAL	NBR (Hardness 90 Shore A)	Black

Why choose JSPSEAL seal kit

- 1.Experience. We have been selling in the aftermarket for nearly 20 years, we know more about what kind of seal kits the machine needs under bad work conditions.
- 2.The accuracy of the dimensions.The same part number as the OEM, easy to query and purchase.
- 3.Price. We can beat all OEM parts in value, while as stated above the qulity of the parts will remain the same.
- 4.Lead Times. JSPSEAL products have been exported for more than 10 years, and our extensive export experience can help you solve various transportation problems. We can ensure fast and

efficient lead times across all JSPSEAL Parts.

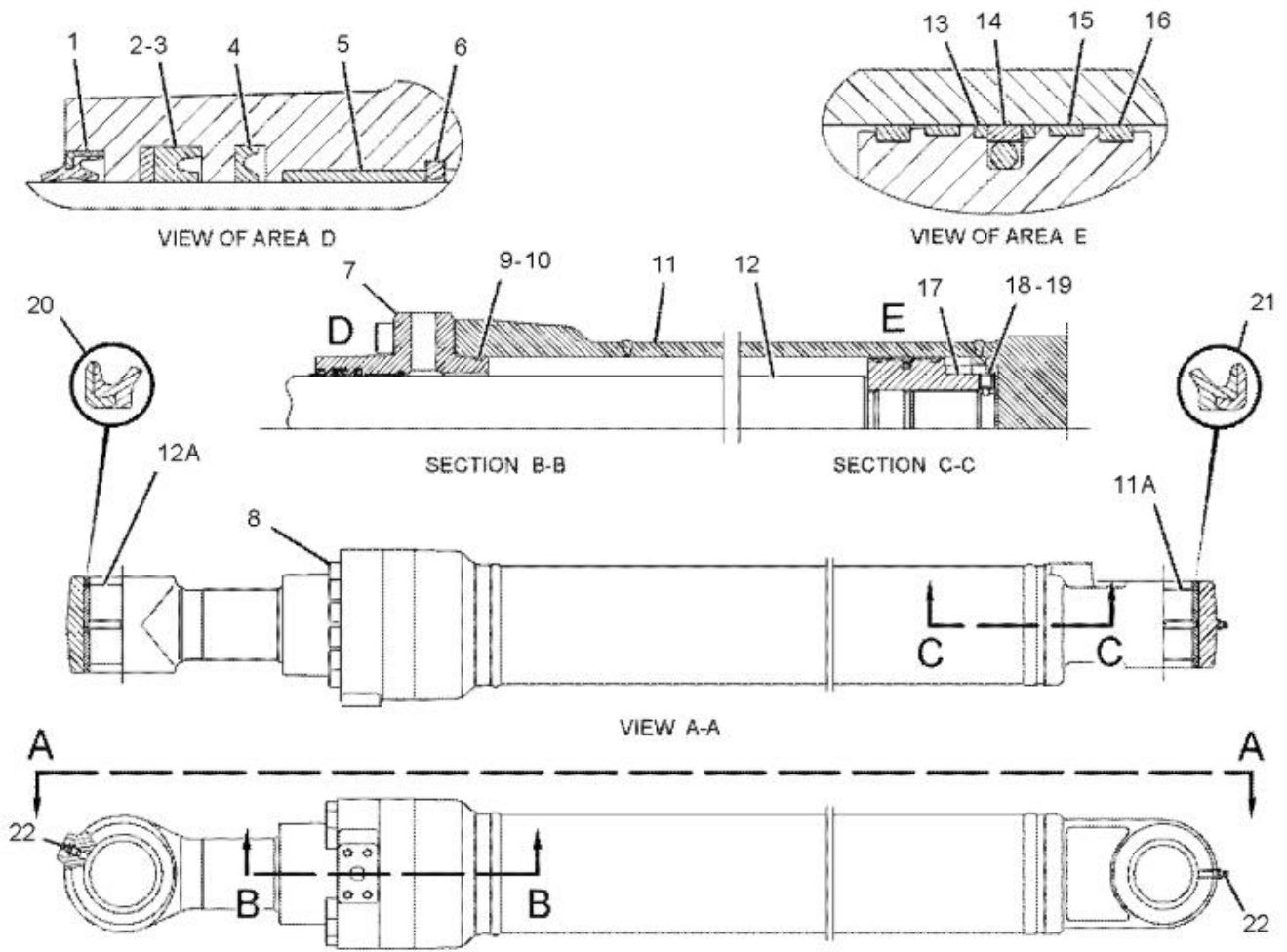
[More Seal Kits](#)



How to find seal kit part number ?

To find the exact part for your machine, the best way to do it is to find out the part number you need, and then search it in our search bar on our homepage, www.jspseal.com. This will show you the right part for what you need, and you can order quickly without fuss.

However, if you can't find the part you need please [contact us](#) and we will source it for you.



Our Services

Chat on line

Whatsapp/Wechat/Skype

OEM part number

We can help you find OEM part number

Shipment

Express/Air/Sea

[Not quite sure yet?](#)

[Why not visit our contact page, we would love to chat with you!](#)

-

Product link : <https://www.jspseal.com/122535a1-swing-cylinder-seal-kit-fits-case.html>